

Characteristics

The 2-way servo proportional valves with VCD® technology valves series TDP are used in applications where high flow has to be precisely controlled at maximum dynamics. Typical applications are die casting, injection moulding and hydraulic presses.

Function

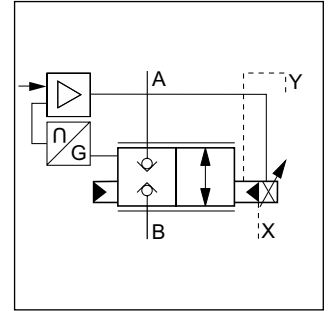
The 2-way servo proportional valves TDP have a 2-stage design consisting of a DFplus pilot valve and a main stage with poppet and LVDT.

With the DFplus pilot valve the TDP achieves extremely fast response times: from 10.5 ms (NG25) up to 28 ms (NG100) with an accuracy of <0.1 % of the nominal flow. The pilot valve actively controls the poppet - independent of the pressure conditions in the main ports. It is basically required that the pilot pressure is at the level of the system pressure. At low system pressure the pilot pressure should be min. 140 bar, when high valve dynamics are desired.

The integrated electronics in the pilot of the TDP has two control loops for the main poppet and the pilot spool.



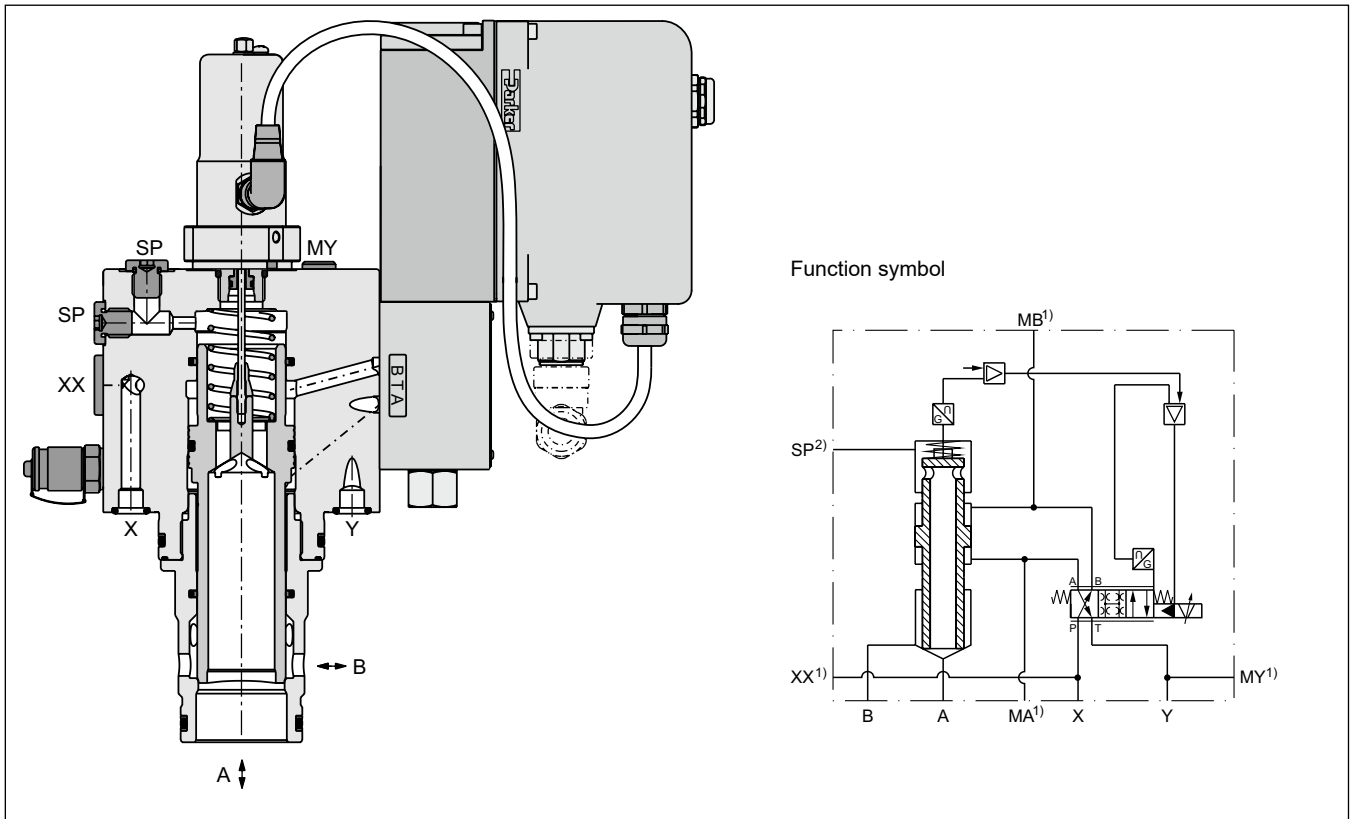
TDP040



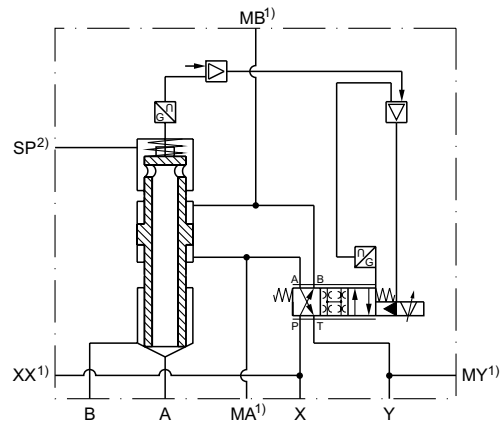
Features

- Active pilot operated 2-way servo proportional valve
- Cavity and mounting pattern according to ISO 7368
- Fast step response
- Flow direction B to A and A to B
- Completely mounted and adapted unit with integrated electronics
- In order to ensure the closed position, pilot pressure is required
- 7 sizes, NG25 up to NG100

TDP040



Function symbol



1) NG25 and NG32 without accu port XX and without port MA, MB and MY.
2) NG25 without suction port SP.

Ordering Code / Performance Curves

Ordering code

TDP		E	H		9	C	2			0	
2-way servo proportional valve with LVDT	Nominal size	Slip-in cartridge	Closed loop, VCD® performance, integrated electronics	Flow characteristic	Nominal flow	Flow direction B → A A → B	Pilot oil (supply external, drain external)	Seal	Command signal	Standard electronics	Design series (not required for ordering)

Code	Nominal size
025	NG25
032	NG32
040	NG40
050	NG50
063	NG63
080	NG80
100	NG100

Code	Flow characteristic
7	progressive
9	linear

Code	Command signal
B	0...+10 V
E	0...+20 mA
S	4...+20 mA

Code	Seal
N ¹⁾	NBR
V	FPM

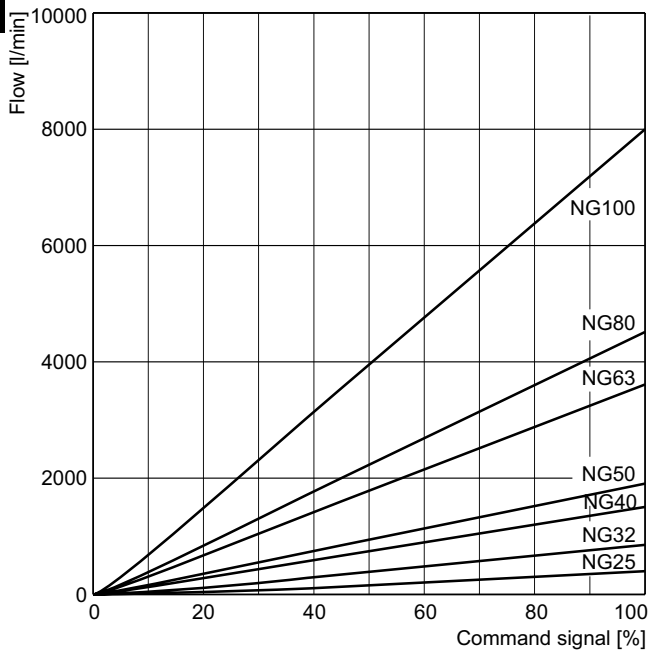
¹⁾ HFC fluids suitable

The DFplus pilot valve is also available with EtherCAT interface, see chapter 3, D*FP and D*1FP with EtherCAT.

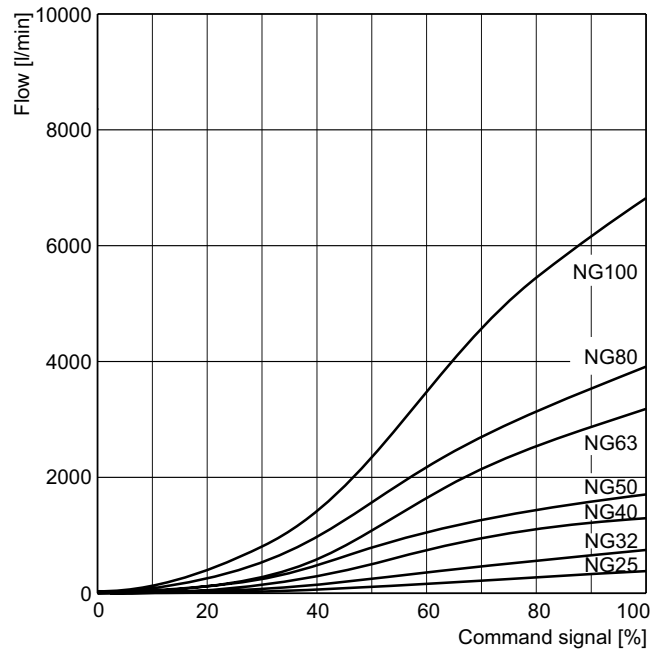
Please order connector separately. Angle female connector must be used for NG25 to NG50.

8

Characteristic flow/signal line, Δp = 5 bar
Linear (code 9)



Progressive (code 7 for TDL replacement)



Opening point factory set to 3 %

$$\text{Flow at different } \Delta p \quad Q_{\text{actual}} = Q_{\text{nominal}} \cdot \sqrt{\Delta p_{\text{actual}} / \Delta p_{\text{nominal}}}$$

Characteristic curve measured with HLP46 at 50 °C.

General								
Design	Proportional throttle valve with LVDT and integrated electronics, slip-in cartridge according to ISO 7368							
Nominal size	DIN	NG25	NG32	NG40	NG50	NG63	NG80	NG100
Mounting position	unrestricted							
Ambient temperature	[°C]	-20...+50						
Weight	[kg]	11	13	15	26	52	105	157
Vibration resistance	[g]	10 sinus 5...2000 Hz acc. IEC 68-2-6 10 (RMS) random noise 20...2000 Hz acc. IEC 68-2-36 15 shock acc. IEC 68-2-27						
Hydraulic								
Max. operating pressure	[bar]	Ports A, B, X and SP up to 350, XX observe accumulator pressure rating; port Y: max. 35						
Fluid	Hydraulic oil according to DIN 51524							
Fluid temperature	[°C]	-20...+60 (NBR: -25...+60)						
Viscosity	recommended [cSt] / [mm²/s]	30 ... 80						
	permitted [cSt] / [mm²/s]	20 ... 400						
Filtration	ISO 4406; 18/16/13							
Nominal flow at Δp = 5 bar (linear)	[l/min]	420	850	1500	1900	3600	4500	8000
Recommended max. flow (linear)	[l/min]	800	2000	3000	4500	8000	13000	20000
Nominal flow at Δp = 5 bar (progressive)	[l/min]	380	750	1300	1700	3200	3900	6800
Recommended max. flow (progressive)	[l/min]	700	1750	2600	4000	7000	11250	17000
Flow direction	B to A / A to B							
Pilot pressure	[bar]	must be as high as system pressure						
Pilot oil	supply	external via X						
	drain	external via Y						
Leakage in pilot valve at 100 bar	[ml/min]	< 400						
Pilot valve size	NG06				NG10			
Max. pilot flow at 140 bar pilot pr.	[l/min]	23	30	40	40	70	80	100
Static/dynamic								
(for optimal dynamics see installation recommendation)								
Step response at pilot press. >140 bar	[ms]	10.5	12	14	20	17	23	28
Frequency response at pilot press. >140 bar								
	Amplitude -3 dB; 10 % ±5 %	95	80	74	66	52	46	41
	Phase -90°; 10 % ±5 %	85	63	59	52	56	51	47
Hysteresis	[%]	< 0.1						
Sensitivity	[%]	< 0.05						
Temperature drift	[%/K]	< 0.025						
Electrical								
Duty ratio	[%]	100						
Protection class	IP65 in accordance with EN 60529 (with correctly mounted plug-in connector)							
Supply voltage / ripple	[V]	DC 22 ... 30, electric shut-off at < 19, ripple < 5 % eff., surge free						
Current consumption max.	[A]	3.5						
Pre-fusing	[A]	4.0 A medium lag						
Input signal								
	Code B Voltage [V]	0...+10, ripple < 0,01 % eff., surge free						
	Impedance [kOhm]	100						
	Code E Current [mA]	0...+20, ripple < 0,01 % eff., surge free						
	Impedance [Ohm]	< 250						
	Code S Current [mA]	4...20, ripple < 0,01 % eff., surge free						
	Impedance [Ohm]	< 250						
Differential input max.	[V]	30 for terminal D and E against PE (terminal G) 11 for terminal D and E against 0V (terminal B)						
Enable signal	[V]	5...30, Ri = > 8 kOhm						
Diagnostic signal	[V]	0...+10 / +12.5 error detection, rated max. 5 mA						
EMC	EN 61000-6-2, EN 61000-6-4							
Electrical connection	6 + PE acc. EN 175201-804							
Wiring min.	[mm²]	7 x 1.0 (AWG16) overall braid shield						
Wiring length max.	[m]	50						



Installation Recommendations / Electronics

Installation recommendations

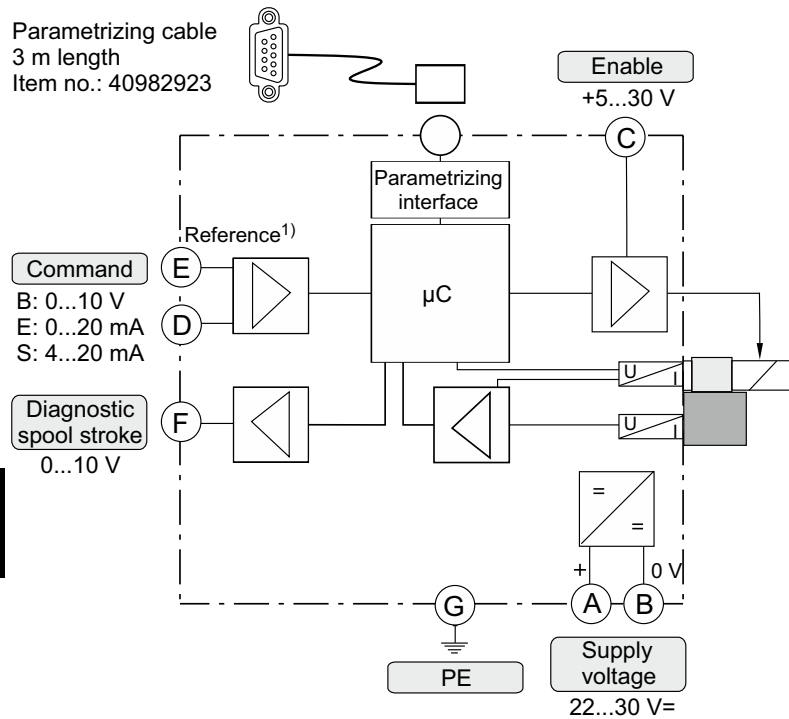
An insufficient pilot oil supply (e.g. due to long distances and/or small diameters) can negatively influence the dynamics of the TDP valve.

To avoid this, an accumulator can be connected to port XX at the valve body of the TDP. A short-term undersupply with pilot oil can be compensated via this accumulator.

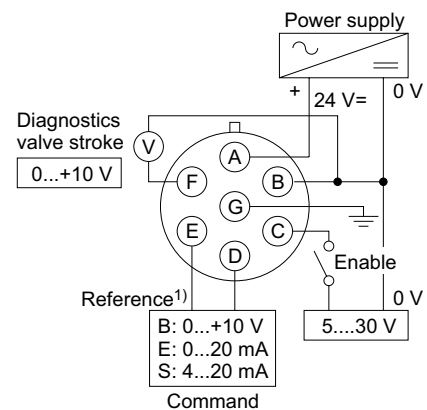
Sizing data: see operation manual.

Please also consider the Parker accumulator product range and the Parker Accumulator Sizing Software.

Block circuit diagram electronics

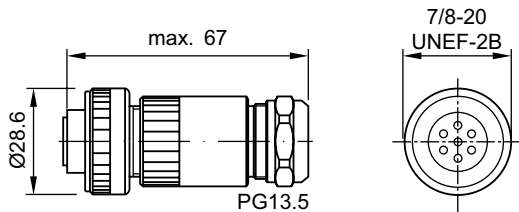


Connection diagrams electronics



8

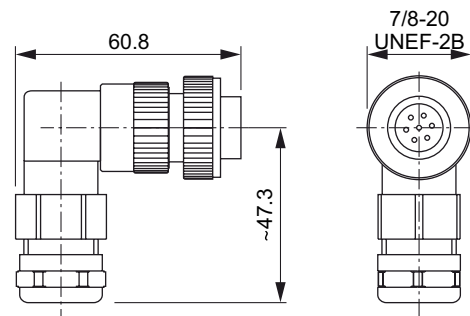
**Female connector for NG63 to NG100
 (EMC conform)**



ID no. 5004072

Please order plugs separately.

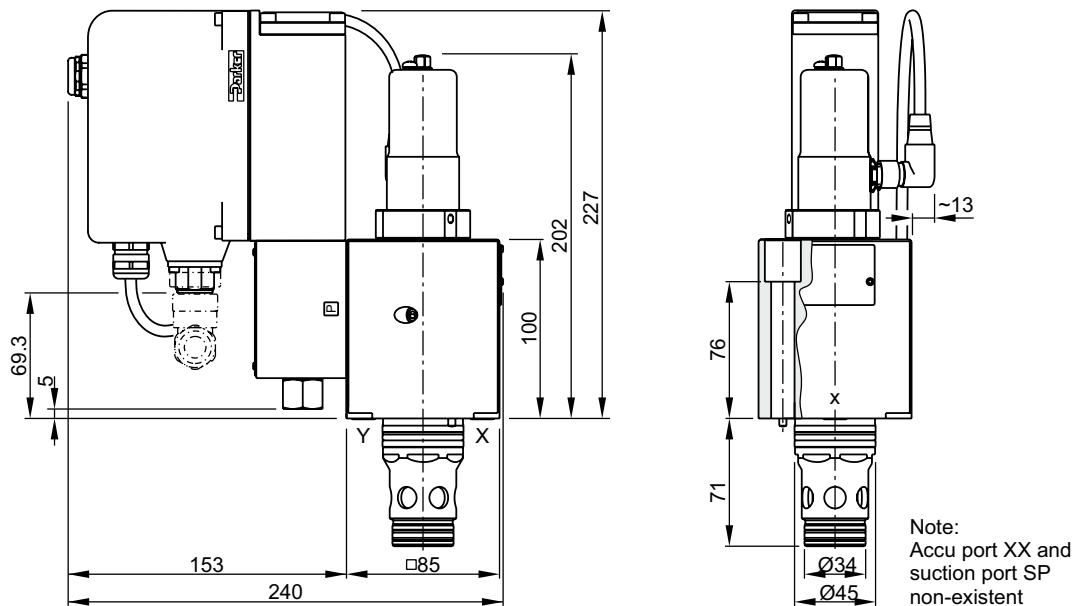
**Angle female connector for NG25 to NG50
 (EMC conform)**



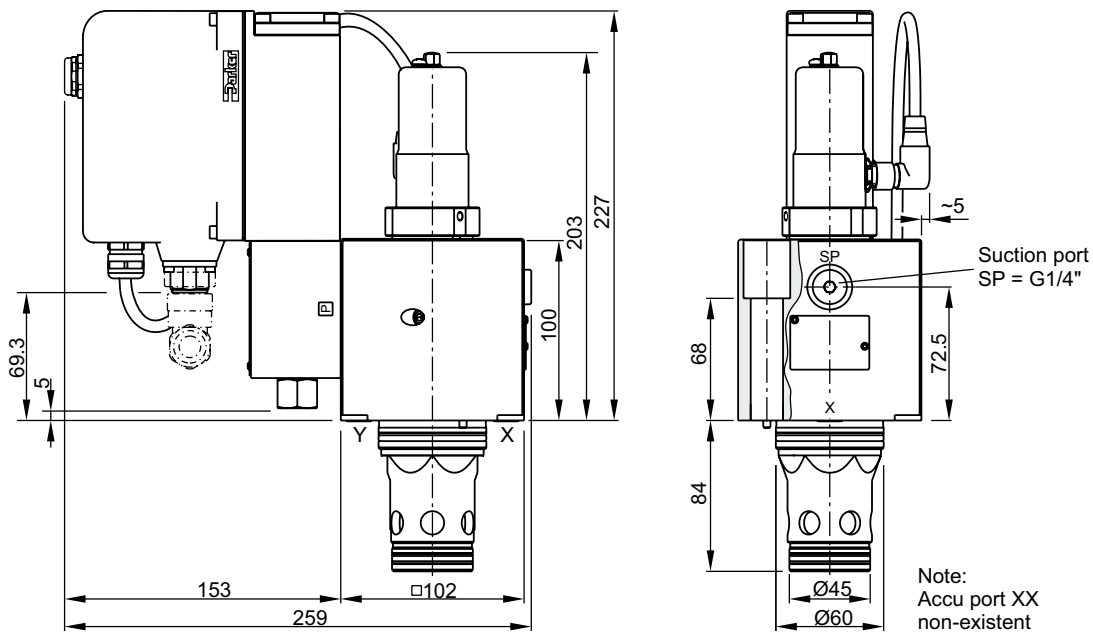
ID no. 5005160

¹⁾ Do not connect with the supply voltage zero.

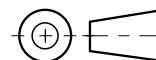
NG25





NG32

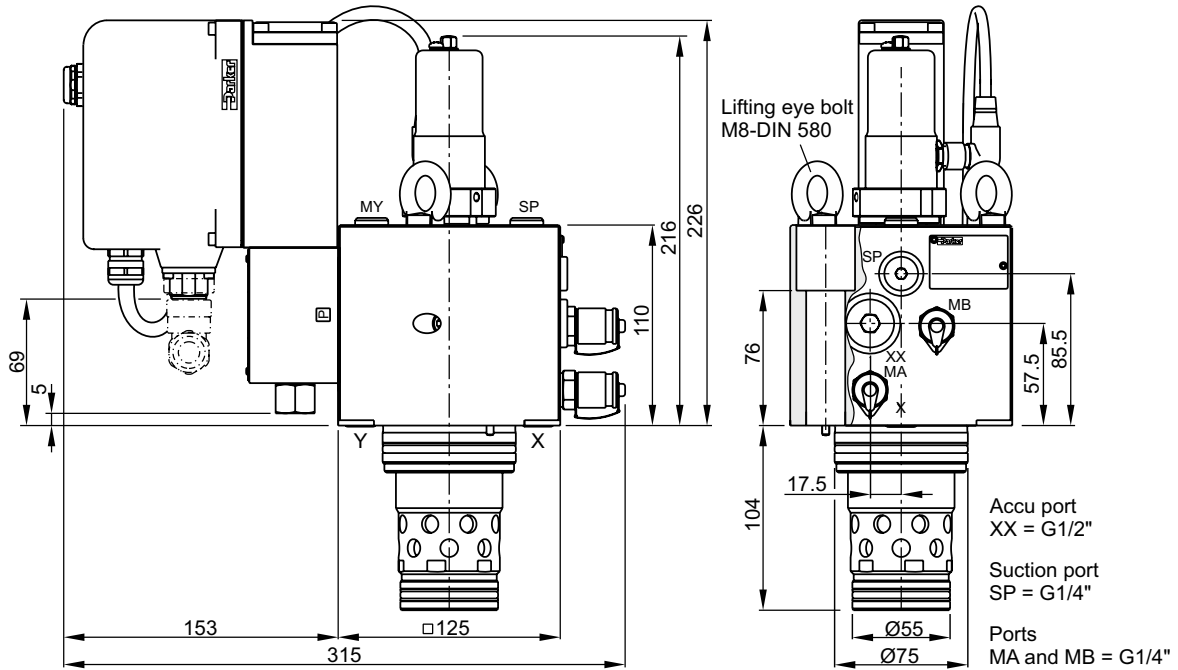


Suction port SP: Contact Parker for installation recommendation.

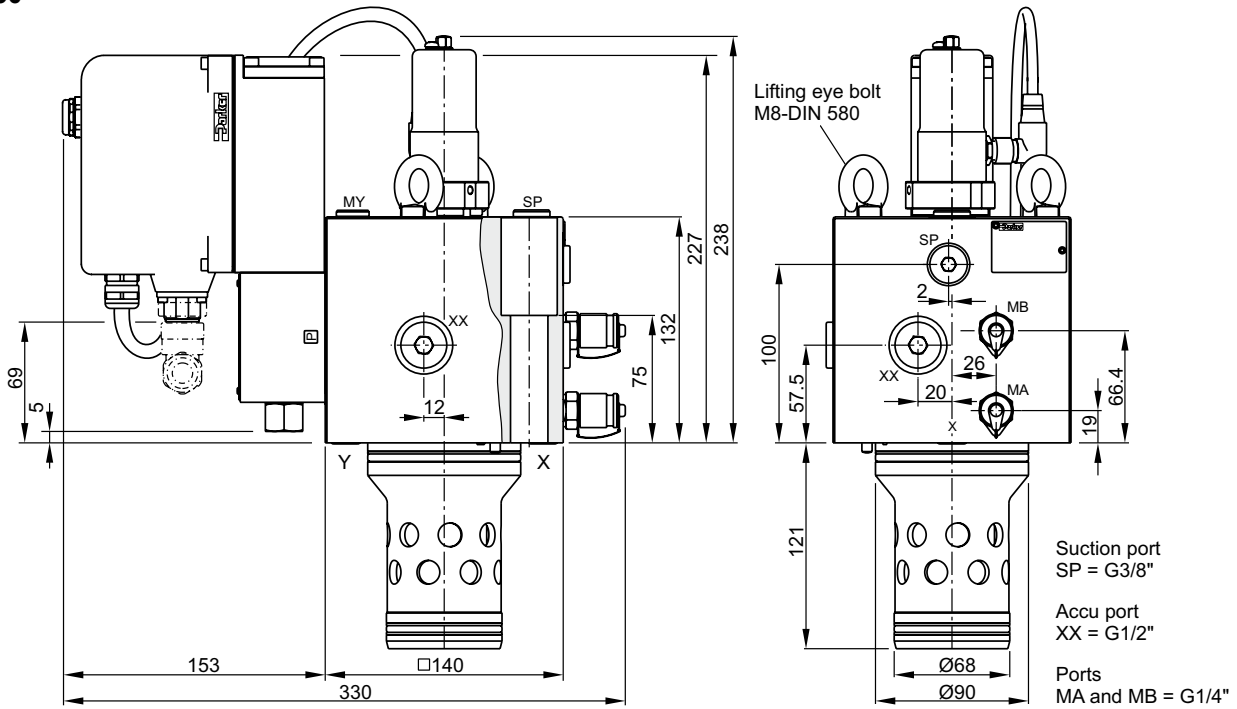


NG	Bolt kit - 		Kit	
			NBR	FPM
25	BK504 4 x M12x100 ISO 4762-12.9	108 Nm	SK-TDP025EN30	SK-TDP025EV30
32	BK529 4 x M16x100 ISO 4762-12.9	264 Nm	SK-TDP032EN30	SK-TDP032EV30

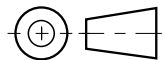
NG40






NG50



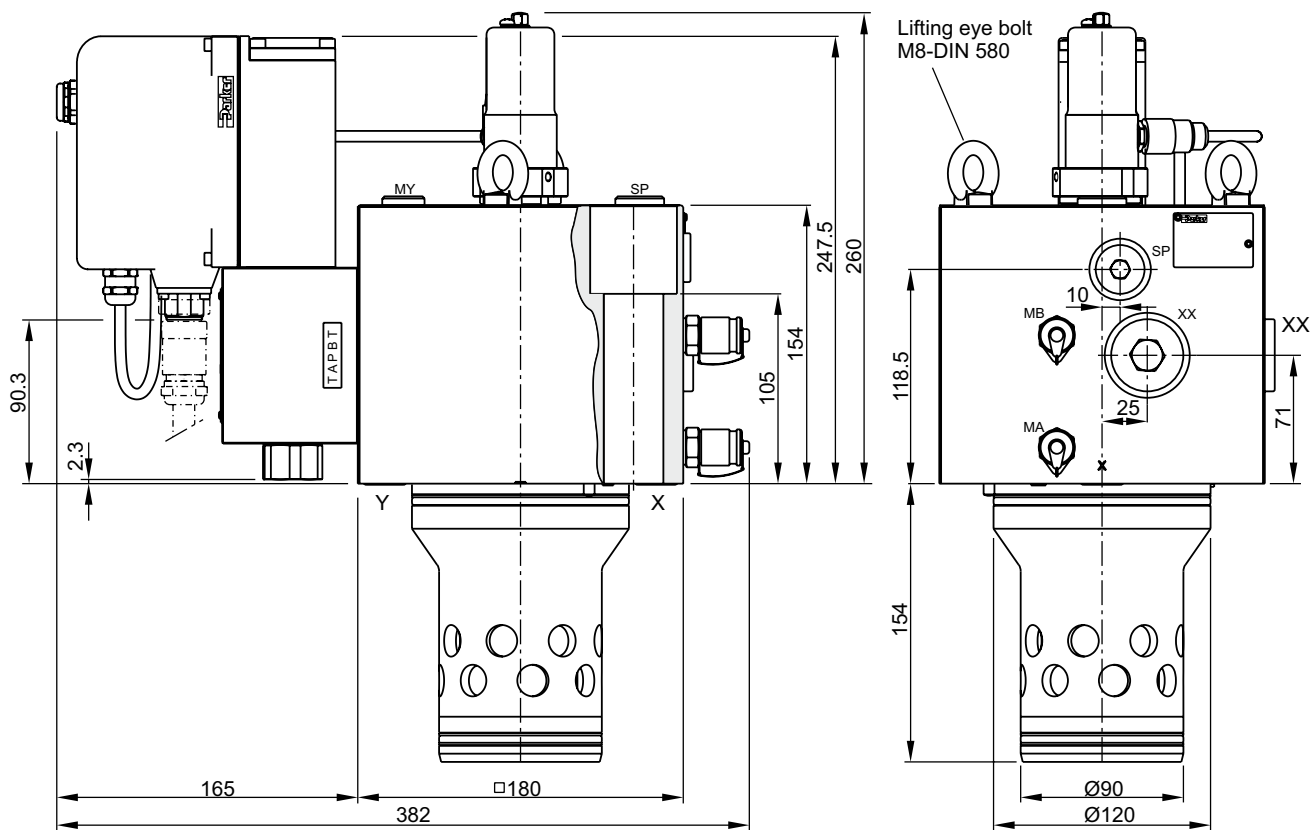
Lifting thread for disassembly M12



Suction port SP: Contact Parker for installation recommendation.

NG	Bolt kit - 		NBR	 Kit	FPM
40	BK481 4 x M20x110 ISO 4762-12.9	517 Nm	SK-TDP040EN30		SK-TDP040EV30
50	BK481 4 x M20x110 ISO 4762-12.9	517 Nm	SK-TDP050EN30		SK-TDP050EV30

NG63

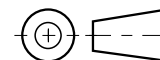





Suction port Accu port Ports
 SP = G1/2" XX = G3/4" MA and MB = G1/4"

Lifting thread for disassembly M12

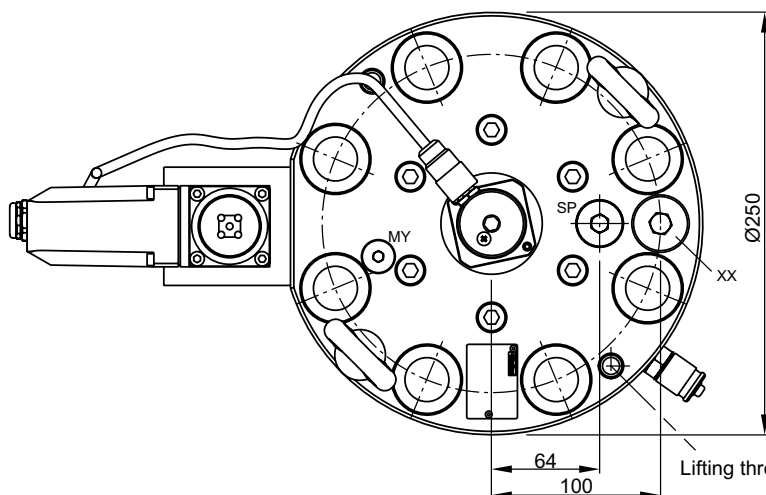


Suction port SP: Contact Parker for installation recommendation.



NG	Bolt kit - 		NBR	 Kit	FPM
63	BK518 4 x M30x160 ISO 4762-12.9	1775 Nm	SK-TDP063EN30		SK-TDP063EV30

NG80

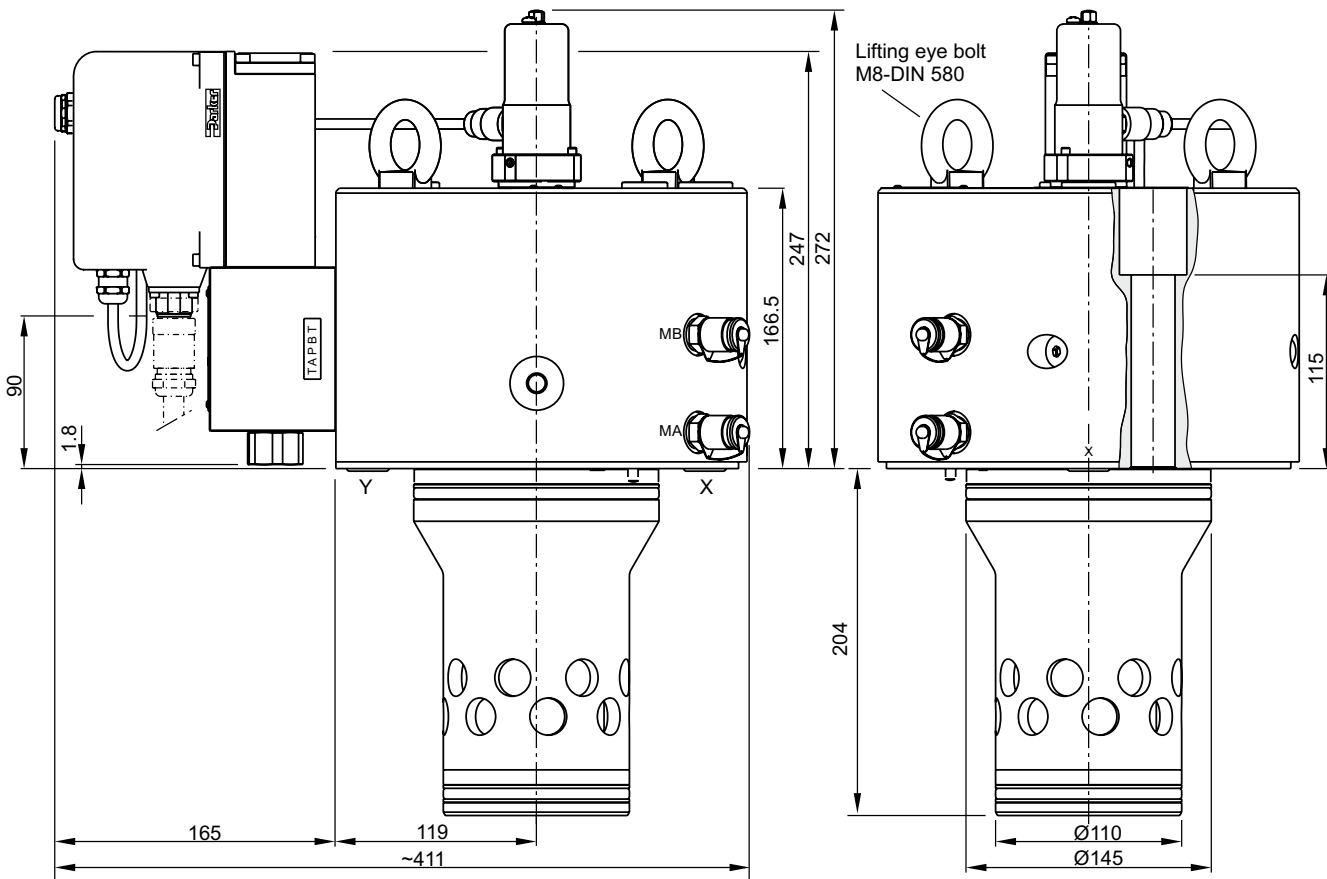


Accu port
 XX = G3/4"

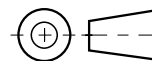
Suction port
 SP = G1/2"




Ports
 MA and MB = G1/4"

Lifting thread for disassembly M12

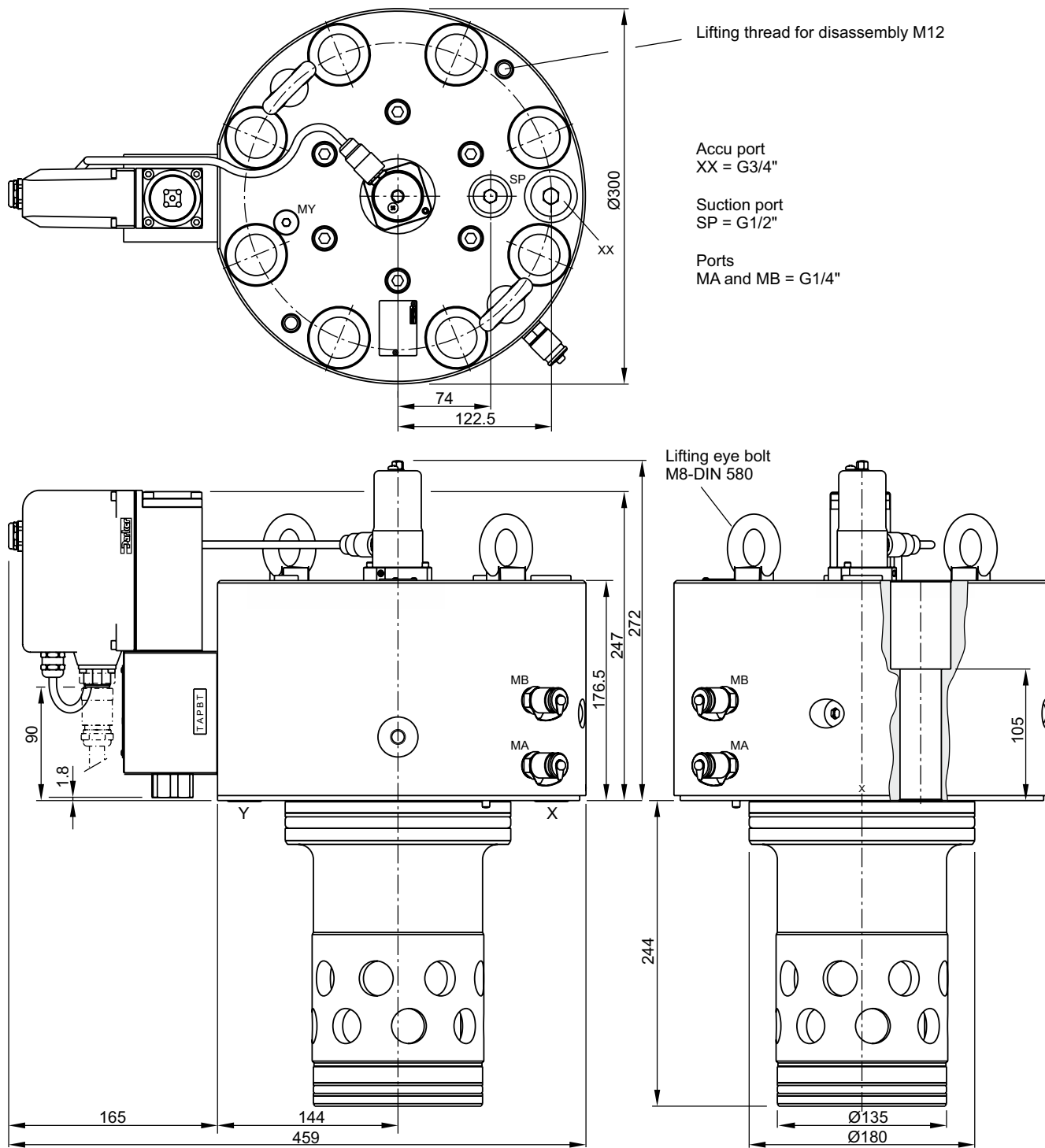


Suction port SP: Contact Parker for installation recommendation.

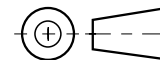





NG	Bolt kit - 		NBR	 Kit	FPM
80	BK530 8x M24x160 ISO 4762-12.9	890 Nm	SK-TDP080EN30		SK-TDP080EV30

NG100



Suction port SP: Contact Parker for installation recommendation.

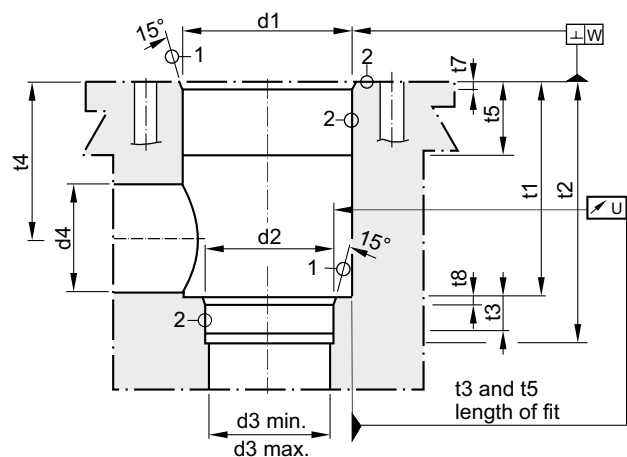
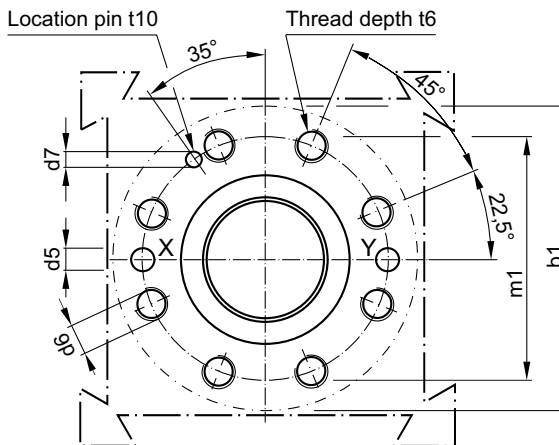
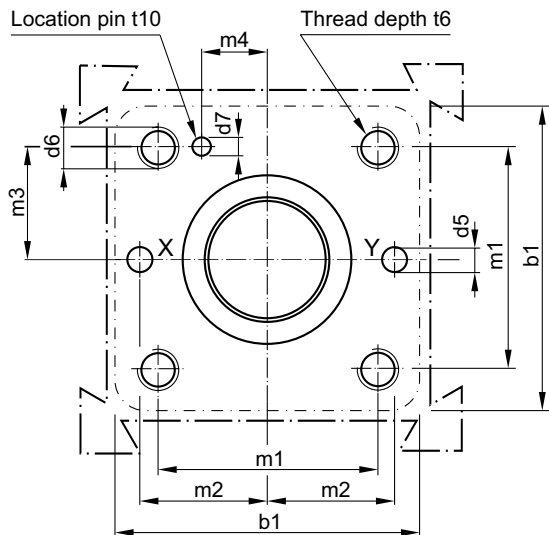


NG	Bolt kit - 		NBR 	Kit
100	BK531 8x M30x150 ISO 4762-12.9	1775 Nm	SK-TDP100EN30	FPM SK-TDP100EV30

Dimensions

Code: ISO 7368-B*-*-2-A/B
NG25 to NG63

Code: ISO 7368-B*-*-2-A
NG80 to NG100



Required surface finish:

① = $\sqrt{R_{\max} 16}$, ② = $\sqrt{R_{\max} 8}$

Deviating from ISO 7368 it is advisable to increase the diameters d3, d4 and d5.

Size	b1	d1 H7	d2 H7	d3	d3 max	d4 max ¹⁾	d5 max	d6	d7 H13	m1±0.2	m2±0.2	m3±0.2
25	85	45	34	25	27	32	6	M12	4	58	33	29
32	102	60	45	32	44	50	8	M 16	6	70	41	35
40	125	75	55	40	54	63	10	M 20	6	85	50	42.5
50	140	90	68	50	67	80	10	M 20	8	100	58	50
63	180	120	90	63	89	100	12	M 30	8	125	75	62.5
80	250	145	110	80	109	110	16	M 24	10	200	—	—
100	300	180	135	100	134	150	20	M 30	10	245	—	—

Size	m4±0.2	t1±0.5	t2±1	t3	t4	t4 max ¹⁾	t5	t6	t7	t8	t10	U	W
25	16	58	72	12	44	40.5	30	35	25	25	10	0.03	0.05
32	17	70	85	13	52	44	15	35	2.5	2.5	10	0.03	0.1
40	23	87	105	15	64	54	15	45	3	3	10	0.05	0.1
50	30	100	122	17	72	59	17	45	4	3	10	0.05	0.1
63	38	130	155	20	95	78	19	65	4	4	10	0.05	0.2
80	—	175	205	25	130	115	32	50	5	5	10	0.05	0.2
100	—	210	245	29	155	133	32	53	5	5	10	0.05	0.2

¹⁾ Only in combination with d4max and t4max.